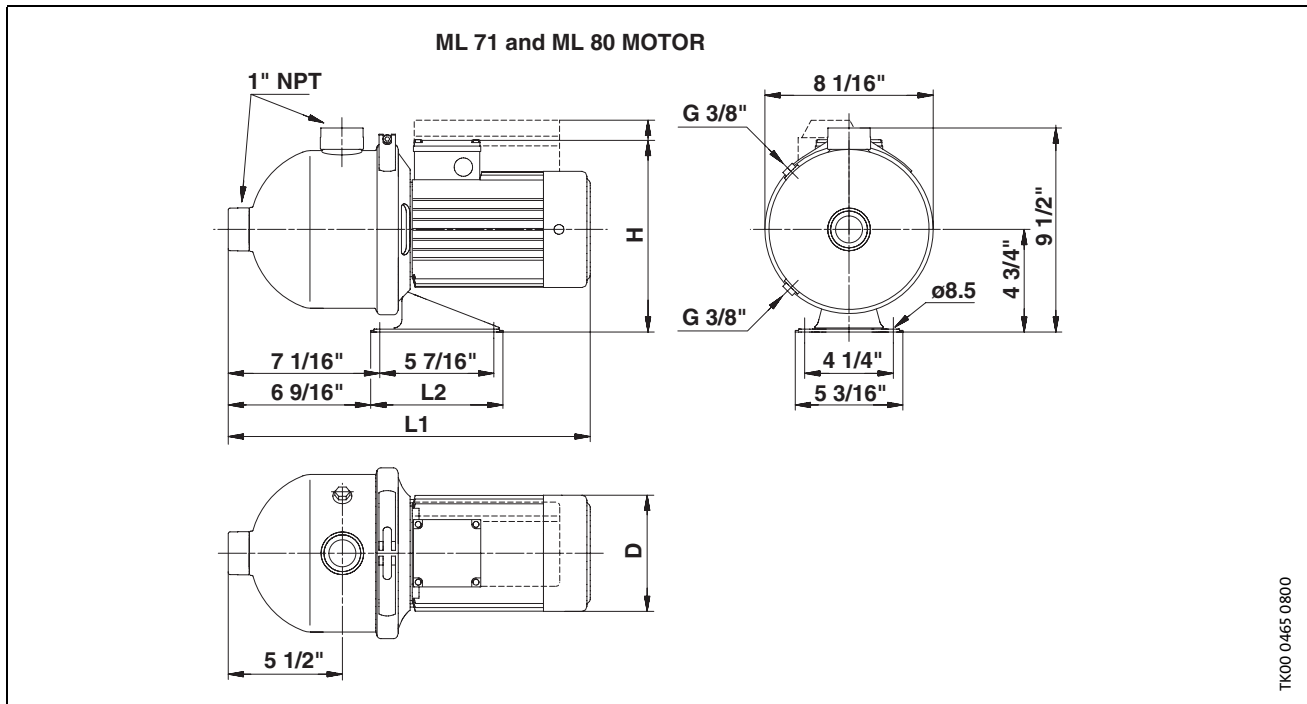


TK00 4357

Dimensional sketch



Dimensions/weights/electrical data

Pump Type	Electrical Data						Dimensions [in.]				Motor type	Ship Wt. [lbs.]	Ship Vol. [ft ³]
	Hp	Ph	Voltage	Service Factor	Rated Current [A]	Maximum Current [A]	L1	L2	H	D			
CHI 2-10	1/2	1	115/230	1.6	4.8/2.5	9.0/4.5	15 5/8	6 3/8	10	5 5/8	ML 71	26	1.4
	1/3	3	208-230/460	1.5	1.0/0.5	1.55/0.75	15 5/8	6 3/8	9 1/16	5 5/8			
	1/3	3	575	1.7	0.4	0.68	15 5/8	6 3/8	9 1/16	5 5/8			
CHI 2-20	1/2	1	115/230	1.6	5.8/3.0	9.0/4.5	15 5/8	6 3/8	10	5 5/8	ML 71	27	1.4
	1/2	3	208-230/460	1.7	1.8/0.9	2.9/1.45	15 5/8	6 3/8	9 1/16	5 5/8			
	1/2	3	575	1.7	0.72	1.22	15 5/8	6 3/8	9 1/16	5 5/8			
CHI 2-30	1/2	1	115/230	1.5	7.0/3.6	9.0/4.5	15 5/8	6 3/8	10	5 5/8	ML 71	28	1.4
	1/2	3	208-230/460	1.7	2.3/1.2	2.9/1.45	15 5/8	6 3/8	9 1/16	5 5/8			
	1/2	3	575	1.7	0.96	1.63	15 5/8	6 3/8	9 1/16	5 5/8			
CHI 2-40	3/4	1	115/230	1.5	9.4/4.7	11.5/5.7	17 1/4	6 3/8	10	5 5/8	ML 80	31	1.4
	3/4	3	208-230/460	1.7	3.1/1.5	4.0/2.1	15 5/8	6 3/8	9 1/16	5 5/8			
	3/4	3	575	1.7	1.5	2.04	15 5/8	6 3/8	9 1/16	5 5/8			
CHI 2-50	3/4	1	115/230	1.5	10.8/5.4	11.5/5.7	17 1/4	6 3/8	10	5 5/8	ML 80	32	1.4
	3/4	3	208-230/460	1.7	3.6/1.8	4.0/2.1	15 5/8	6 3/8	9 1/16	5 5/8			
	3/4	3	575	1.7	1.44	2.45	15 5/8	6 3/8	9 1/16	5 5/8			
CHI 2-60	1	1	115/230	1.5	13.0/6.5	15.0/7.5	17 1/4	6 3/8	10	5 5/8	ML 80	36	1.4
	1	3	208-230/460	1.6	4.5/2.3	5.2/2.6	17 1/4	6 3/8	9 1/16	5 5/8			
	1	3	575	1.6	1.84	2.94	17 1/4	6 3/8	9 1/16	5 5/8			